

Product Specification

PRODUCTS IMAGES



PRODUCT FEATURES:

Type: Thermostatic shower mixer
 Code: RB.TGN.0BS241.BR.PS
 Material: Brass mixer(brass handle/brass cover plate) / brass head shower
 brass shower holder/ plastic handshower / PVC hose
 Finishing: Steel Grey

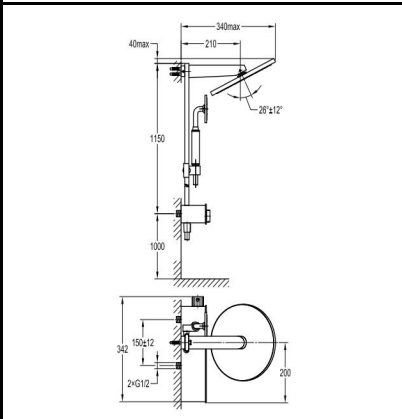
Components included:

- * Thermostatic cartridge, anti-scald 38°C safety stop
- * GoSlide volume control cartridges
- * Height and angle adjustable hand shower holder
- * 1-function rainshower, Air-Mix shower technology, Ø25cm
- * 3-function plastic handshower
- * Easy clean shower spray
- * 150cm PVC shower hose 1/2"

FLOW RATE:L/MIN

Water pressure	1bar	2bar	3bar	4bar	5bar
Rain shower	8.4	12.6	15	18	19.8
Bottom	6.6	10.2	12	14.4	16.2
Hand shower	7.8	12	15.6	19.2	21.6

TECHNICAL DRAWING



REMARKS:

- * Plating thickness passes AASS 24H test under lab conditions;

WARRANTY:

ROCELL BATHWARE guarantees all its Chrome plated ranges of mixers and taps for a period of 5 years and accessories 2 years from the date of purchase against defect of work or materials, except for the electronic parts and the internal components such as ceramic cartridges, handworks, headworks and thermostatic cartridges which are guaranteed for a period of 2 years.